



---

# A FRAME DESK PLAN

---



SEPTEMBER 10, 2020

CATHARTIC CRAFTING  
[www.catharticcrafting.com](http://www.catharticcrafting.com)

## Supplies

- 1- 1" x 2' x 4' plywood piece
- 2 - 1" x 2" x 6' pine
- 3 - 1" x 3" x 6' pine
- 1 - 1" x 10" x 4' whitewood board
- Pocket screws
- Dowels
- [Veneer Edging](#)
- Wood Filler
- Sandpaper
- Stain or paint and/or wax
- Wood Glue
- [Basket](#)

## Tools

- Miter Saw
- Circular Saw
- Clamps
- Kreg Jig
- Drill
- Scraper

## Measurements and Cuts

The desk is 42"L x 24"D X 30"H.

- 1 - 1" x 42" x 24"
- 1 - 1" x 2" x 26 1/4"
- 4 - 1" x 2" x 9 1/2"
- 2 - 1" x 2" x 8"
- 1 - 1" x 13" x 9 1/2"
- 1 - 1" x 19" x 9 1/2"

List of pieces cut at 10-degree angle

- 6 - 1" x 3" x 29 1/2"
- 3 - 1" x 2" x 17 3/8"
- 3 - 1" x 2" x 8 1/4"
- 2 - 1" x 2" x 11"

Figure A

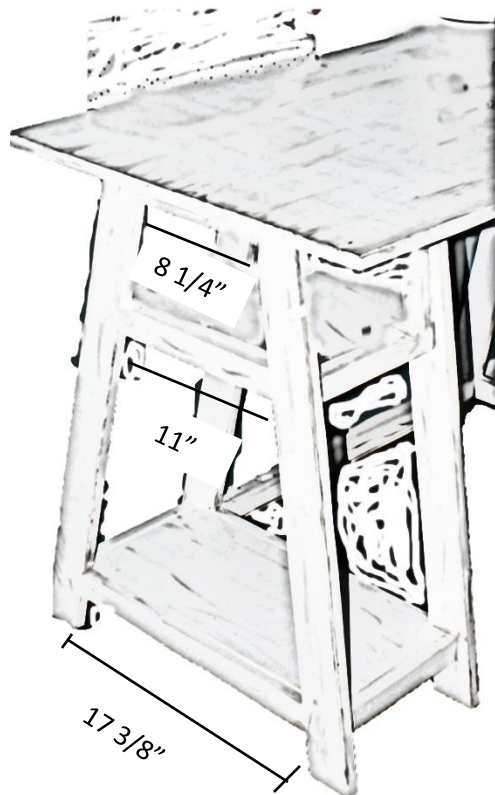
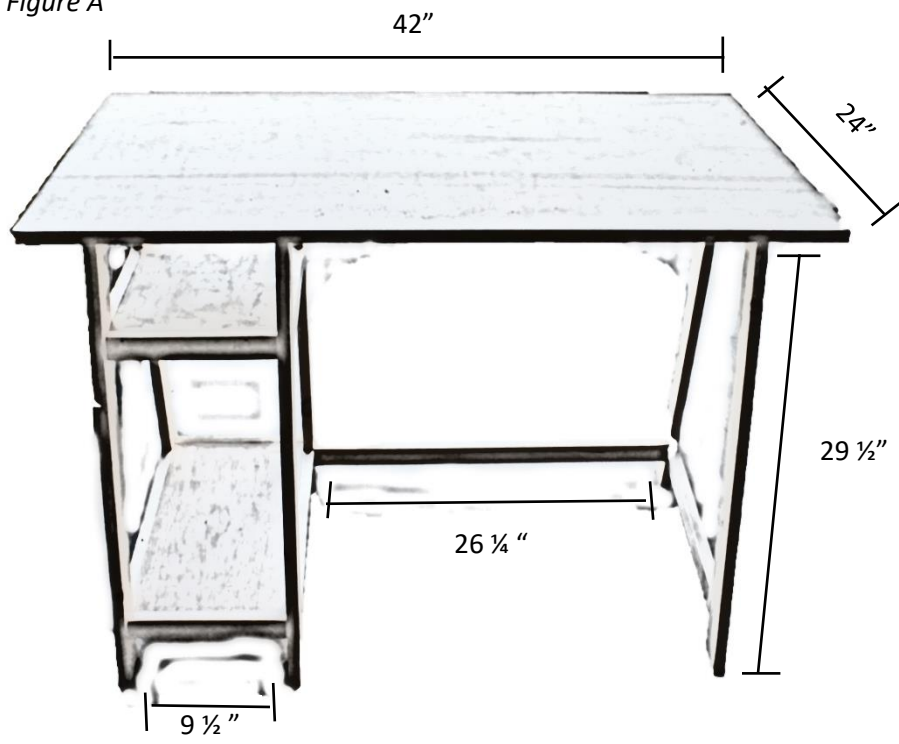


Figure B

# Pocket Holes

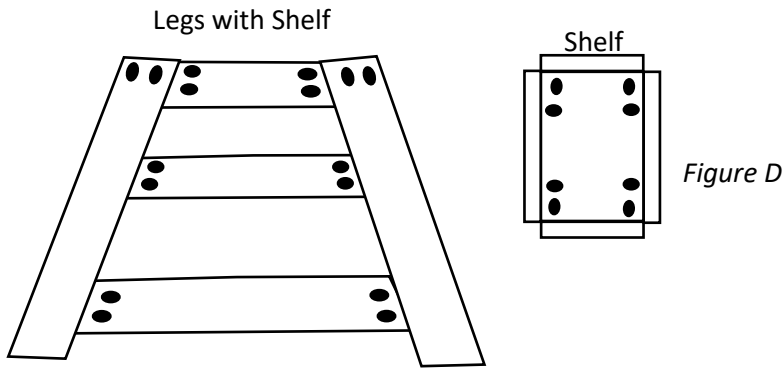


Figure C

Figure D

## Instructions

1. Cut all wood to sizes listed above.
2. Drill the pocket holes into all pieces as outlined in Figure C and Figure D.
3. Use wood glue on the ends and screw together each A-frame leg section according to Figures A and B. These pieces should be all those with the 10-degree angled ends. Start with the 8 ¼" piece at the top of the leg assembly.
4. Fill in visible holes with wood filler.
5. Sand legs and all remaining pieces.
6. With the legs assembled, attach them with the cross beams that have the squared ends.
7. Glue and screw in the bottom shelf.
8. Place glue on the tops of the legs.
9. Place the top centered evenly on the legs, then clamp the top to the legs to ensure it doesn't move out of place. Screw in the pocket screws to secure the top.
10. Glue and screw in the top shelf ensuring it is flush with the horizontal supports.
11. Check that the desk is level and doesn't wobble. If there's a wobble, you'll need to sand the leg that is longer than the others.